

Models: M20, M30, T20

KIT INSTALLATION INSTRUCTIONS:

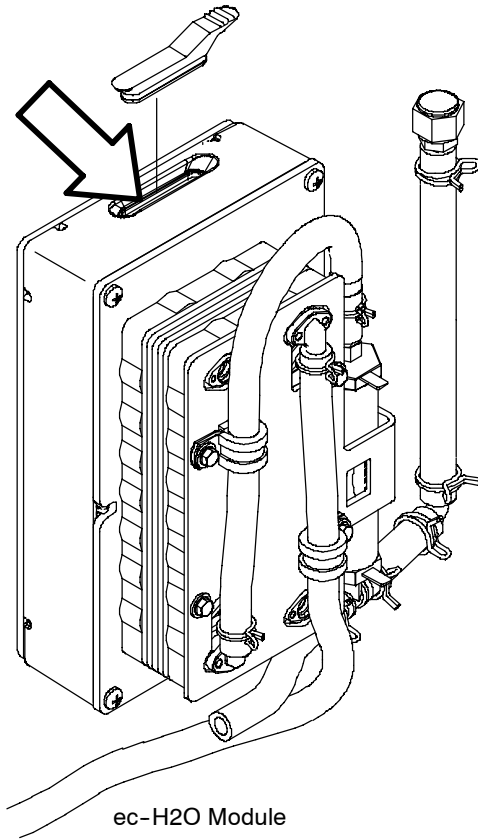
Installation Time: 1 hour

TOOLS REQUIRED: Phillips Screwdriver, Pliers

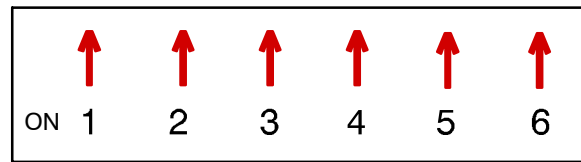
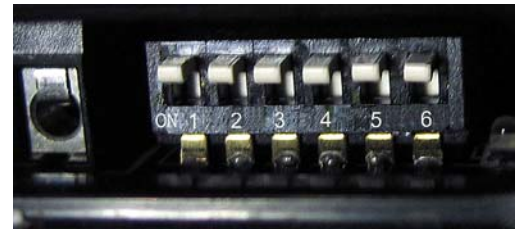
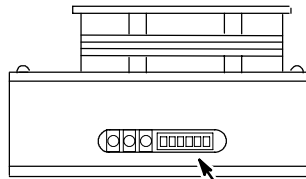
1. Drain the solution and recovery tanks.
2. Park machine on a level surface, turn machine off and remove key.

3. Remove the defective *ec-H2O* module from the machine.
4. Adjust the DIP switches on the new module as specified below and install module plug.
5. Install new module and check the machine for proper operation.

Set DIP Switches as shown



Top View of Module



SET TO OFF POSITION

Module Replacement Kit



Models: M20, M30, T20

KIT INSTALLATION INSTRUCTIONS:

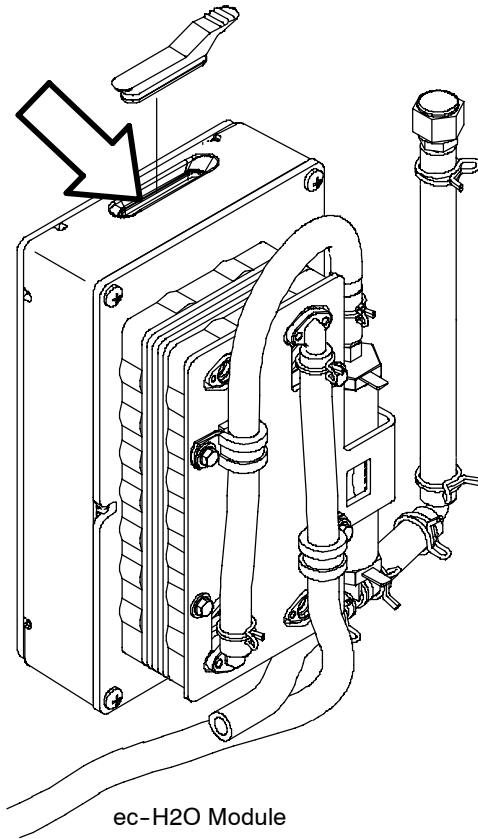
Installation Time: 1 hour

TOOLS REQUIRED: Phillips Screwdriver, Pliers

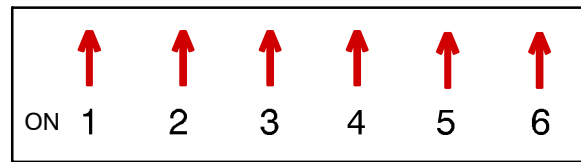
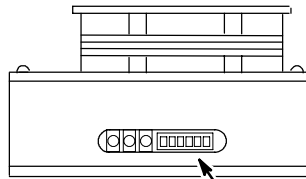
1. Drain the solution and recovery tanks.
2. Park machine on a level surface, turn machine off and remove key.

3. Remove the defective *ec-H2O* module from the machine.
4. Adjust the DIP switches on the new module as specified below and install module plug.
5. Install new module and check the machine for proper operation.

Set DIP Switches as shown



Top View of Module



SET TO OFF POSITION